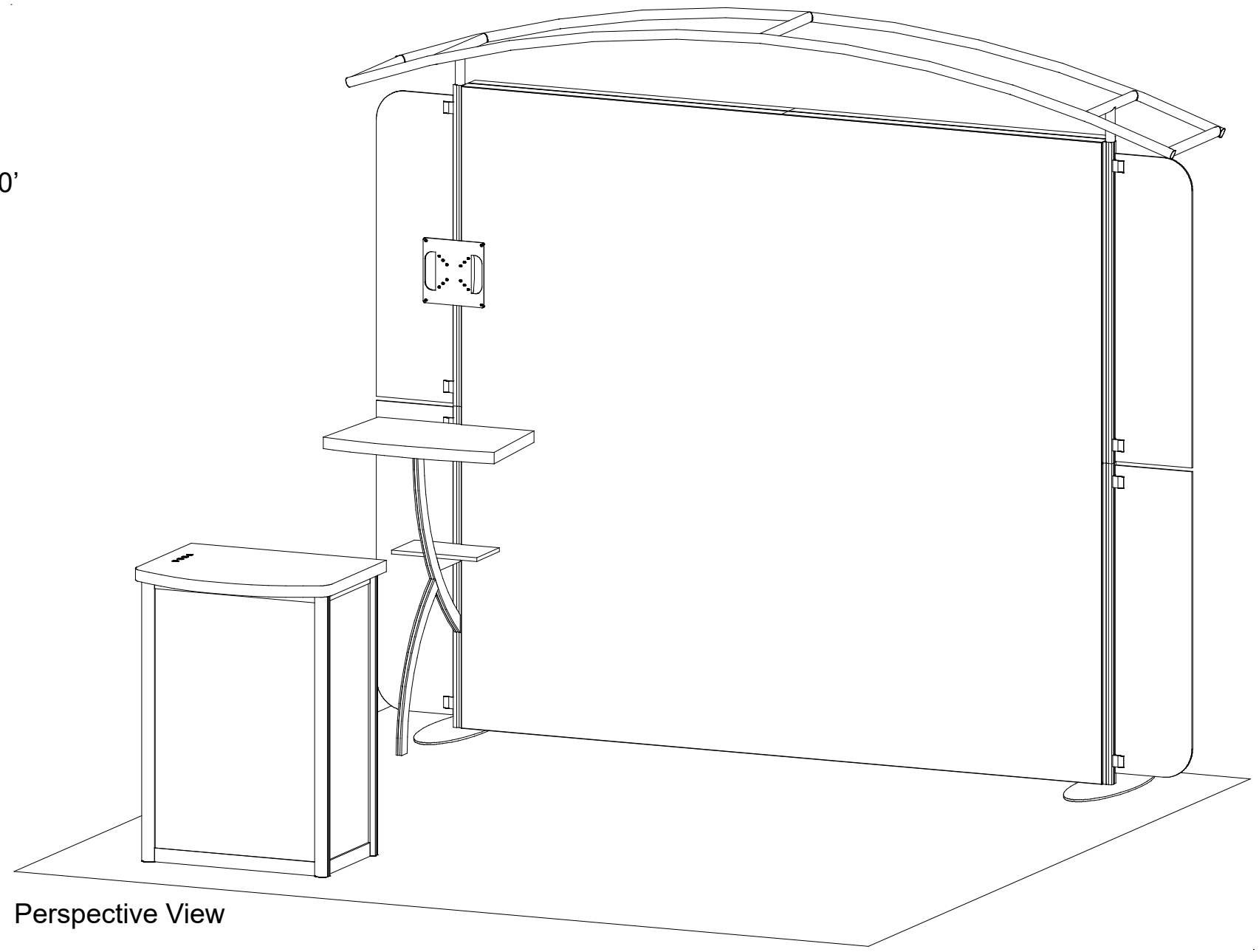
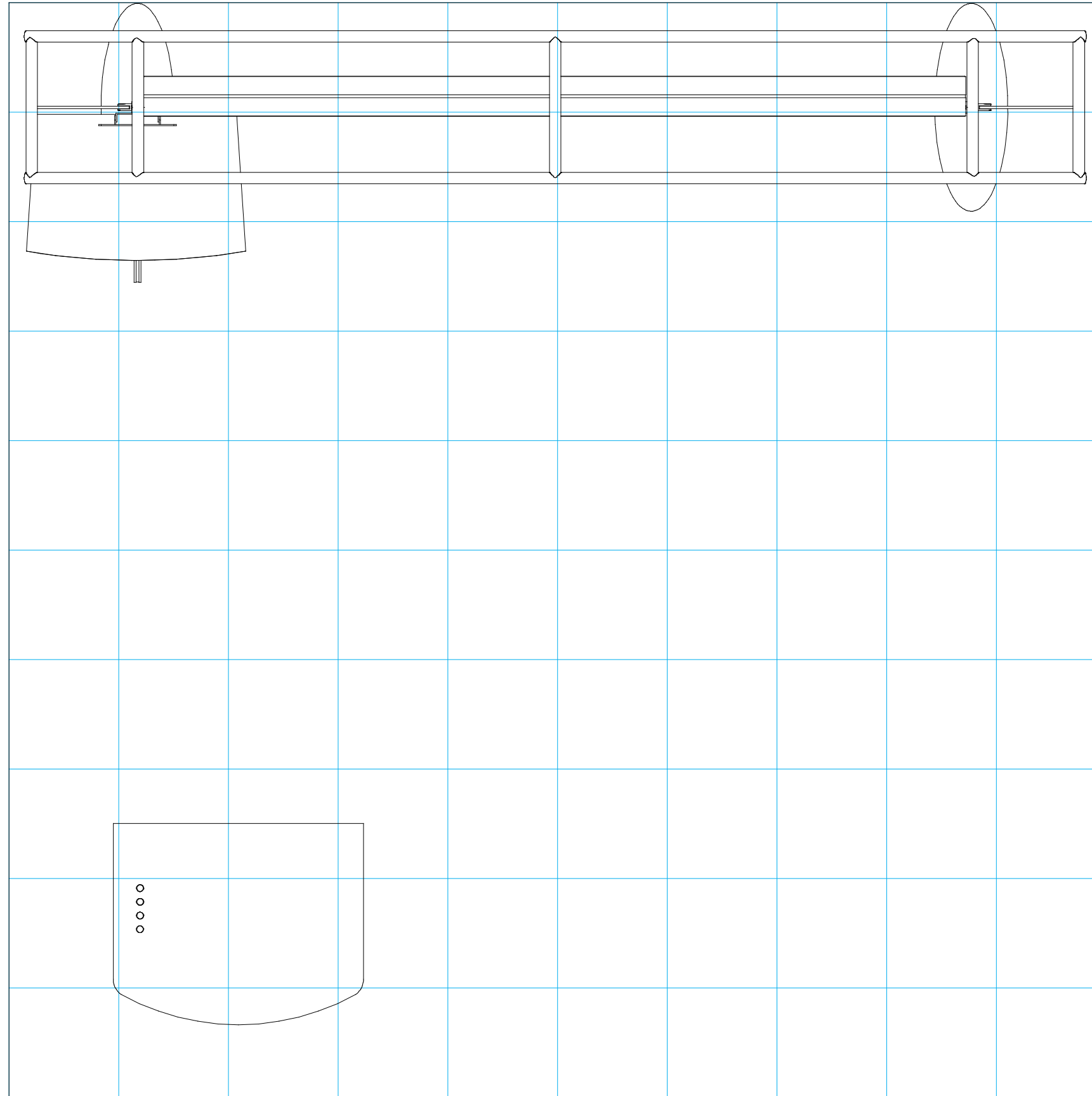



Top View





 = 1 sq foot

## General Setup Instructions

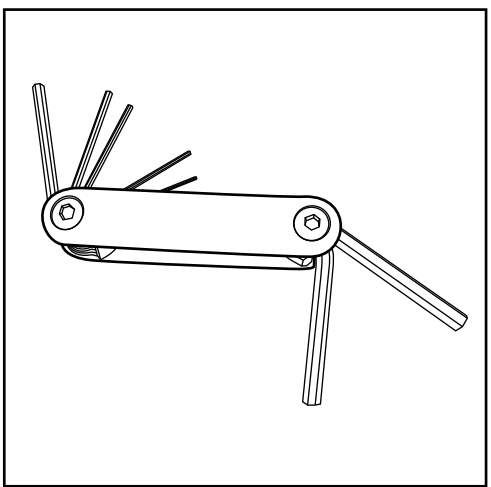
- Read entire setup instruction manual prior to unpacking parts and pieces.
- The setup instructions are created specifically for this configuration.
- Setup instructions are laid out sequentially in steps, including exploded views with detailed explanation for assembly.

## Cleaning & Packing

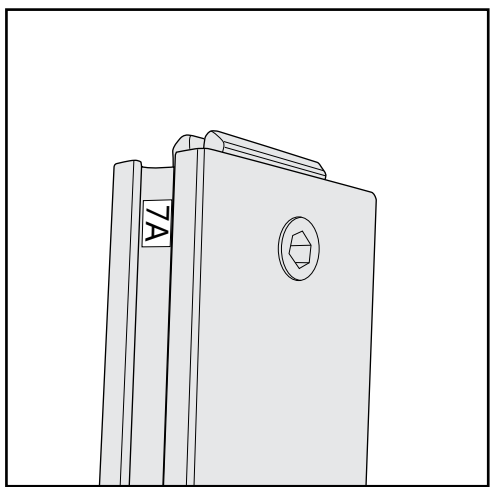
- For Cleaning Metal, Plex, & Laminate Parts: Use a **MILD NON-ABRASIVE** cleanser and soft cloth/paper towel to clean all surfaces.
- Keep exhibit components away from heat and prolonged sun exposure. **Heat and UV exposure will warp and fade components.**
- Retain all provided Packing Materials. All provided packing materials are for ease of repacking & component protection.

## Disassembly

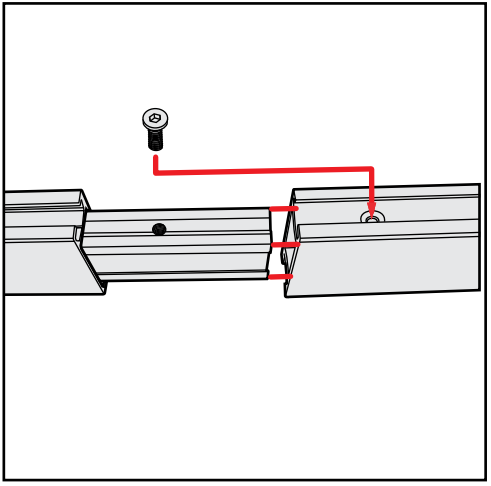
- For loss prevention, tighten all set screws and locks during disassembly.



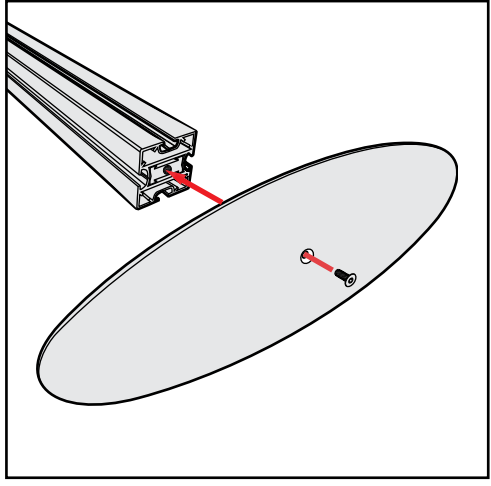
Hex Tool - Essential for Assembly



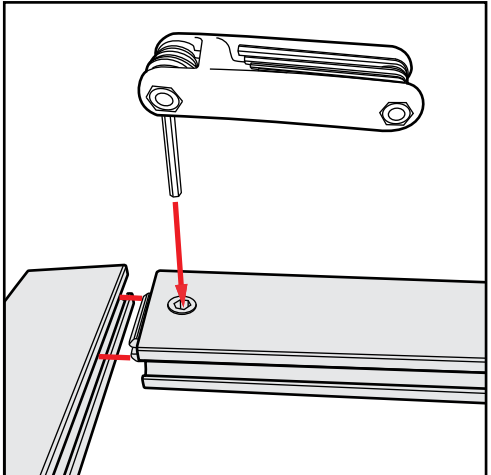
Part Identification - Numbering



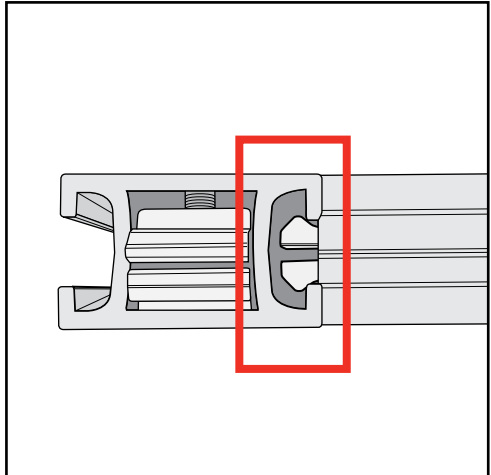
Spline Connection



Base Plate & Extrusion Connection



Extrusion & Lock Connection



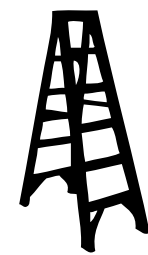
Engaged Lock



**WARNING**



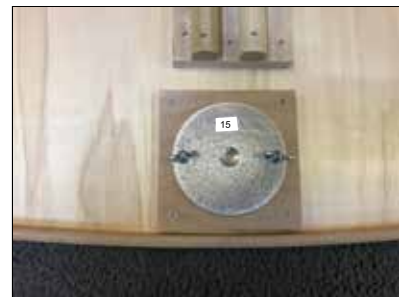
DO NOT USE POWER TOOLS



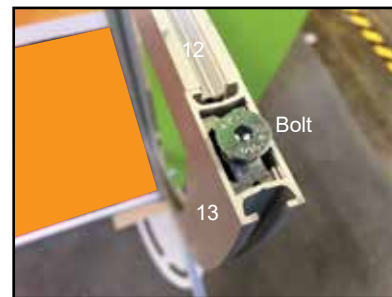
LADDERS OR LIFTS MAY BE REQUIRED



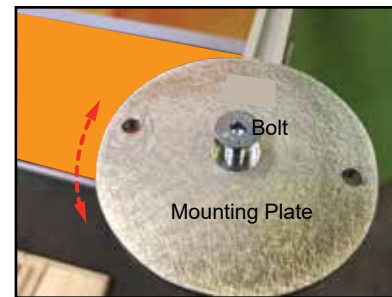
ALL CONNECTIONS MUST BE TIGHTLY SECURED



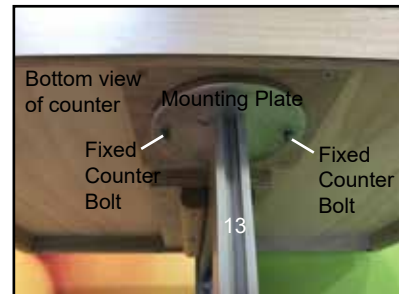
1) Mounting plate & wing nuts, in packed position.



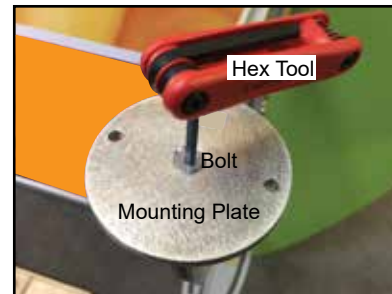
2) Mounting plate bolt in, packed position.



3) Place mounting plate onto [13] then tighten bolt, part way, allowing some rotation for final positioning.



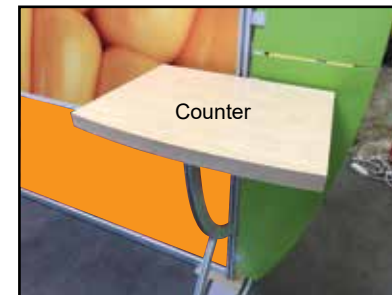
4) Place fixed counter bolts into mounting plate, then lift counter to re-tighten bolt.



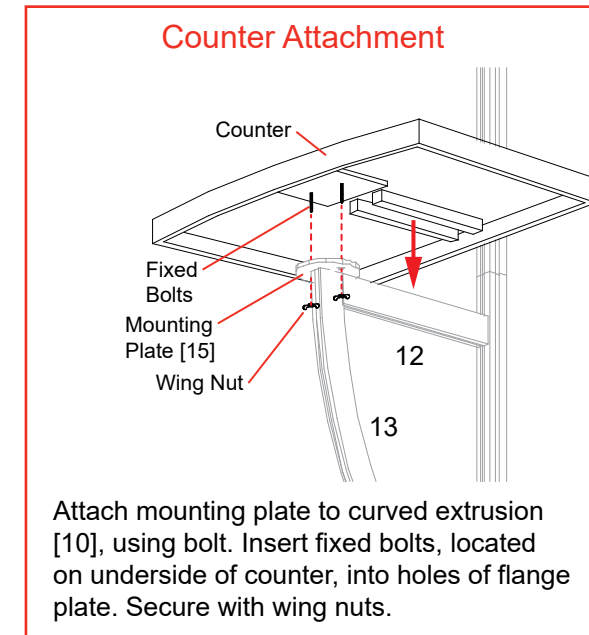
5) Tighten bolt, using hex tool, to secure.



6) Place fixed counter bolts into mounting plate, then secure using wing nuts.



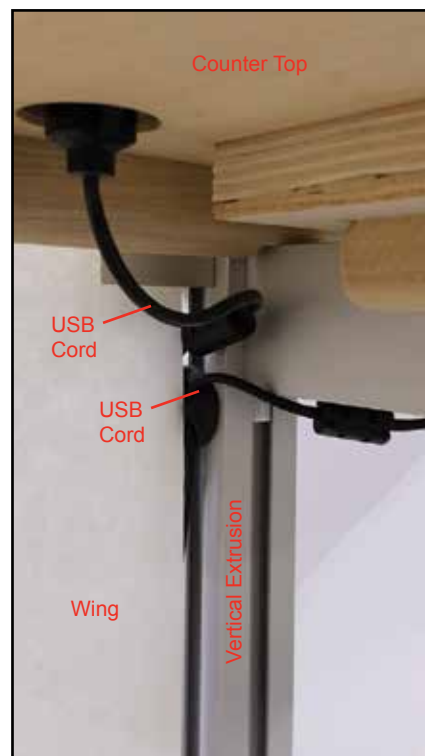
Completed Assembly



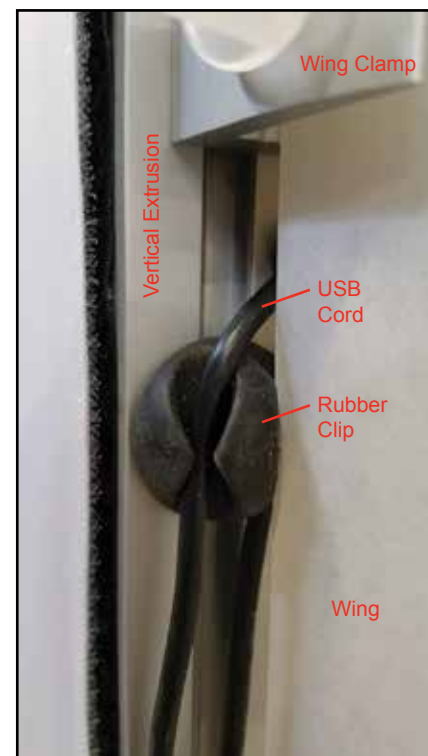
Keep mounting plate [15] and wing nuts attached to counter, when packing.

Keep bolt attached to [13], when packing.

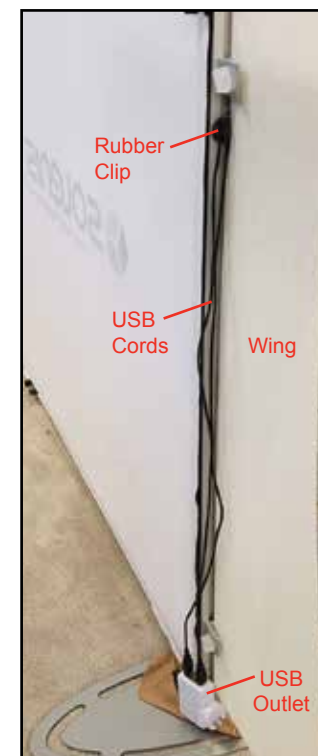
Keep rubber clip attached to vertical extrusion.



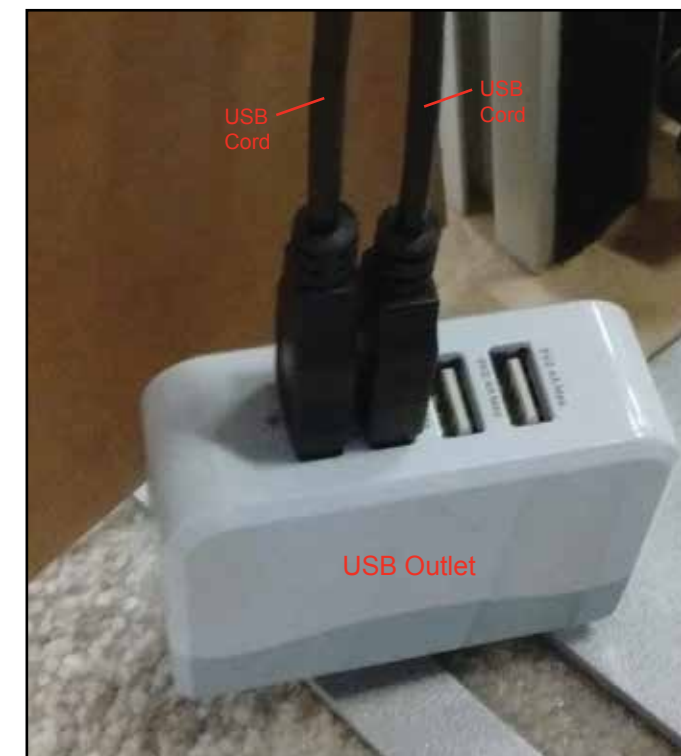
Route cord from right USB port through right side of rubber clip in groove of vertical extrusion.



Route cord from left USB port through left side of rubber clip in groove of vertical extrusion.

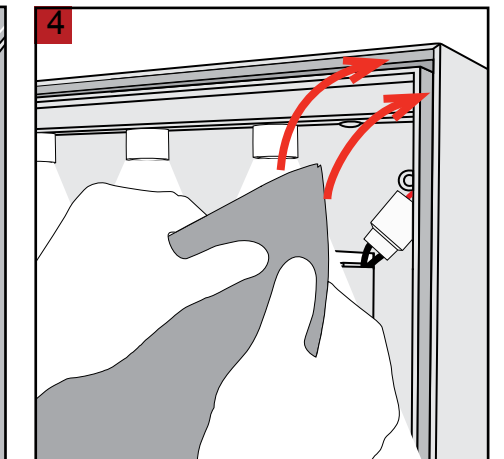
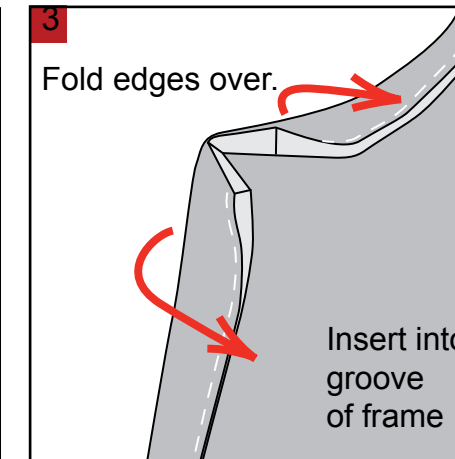
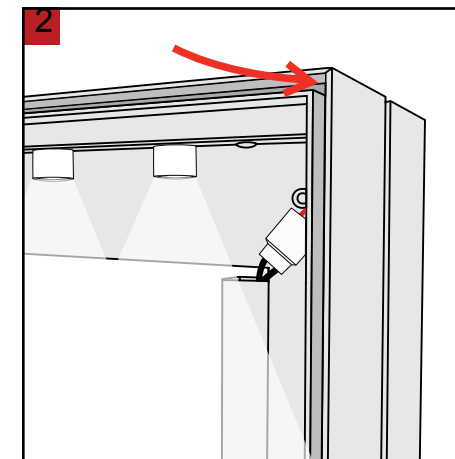
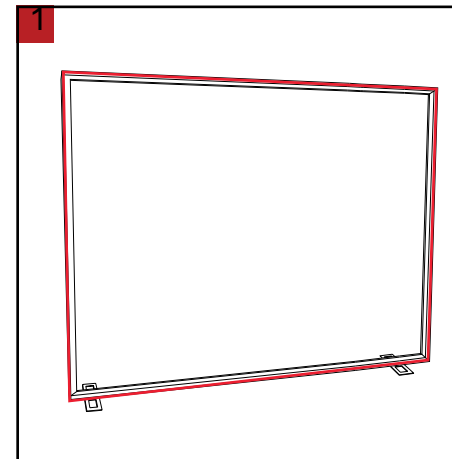


Cords will hang down to USB outlet.



Plug USB cords into USB outlet.

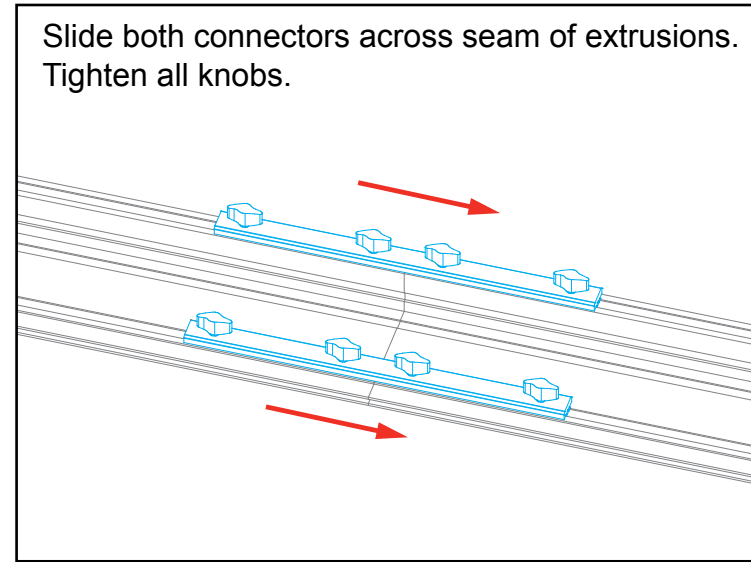
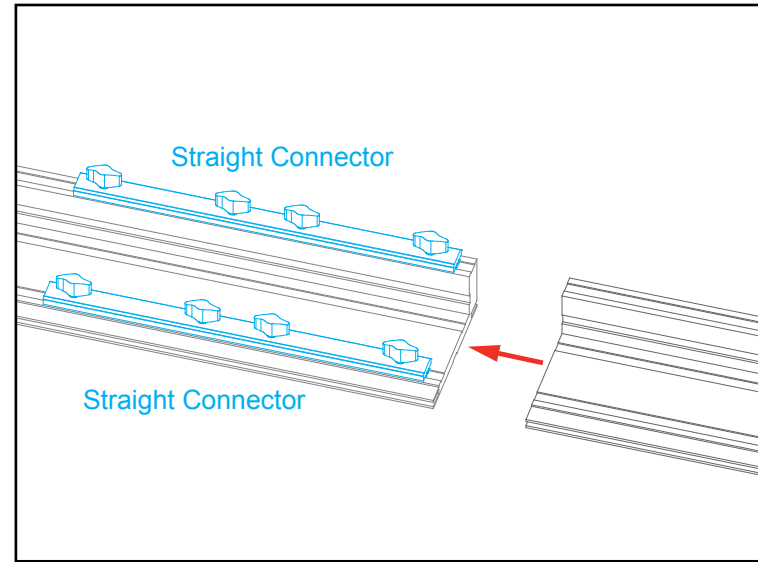
- 1) Locate channels along the edges of extrusions
- 2) Insert graphic corners first into channels then center point of graphic into channels. Allows for proportional fit around the perimeter of the extrusion.
- 3) Working from center to corner, slide silicon edge on graphic into channel.
- 4) After all edges of graphic have been inserted into channels, step back and assess graphic fit, make adjustments where needed.



## Straight Connection

When assembling frame, first attach all **straight connectors**, then attach **corner connectors**.

- 1) Place extrusions end-to-end.
- 2) Loosen all knobs, then slide **straight connectors** across the seam of extrusions.
- 3) Tighten all knobs to secure connection.



All knobs must be tightened securely to ensure a proper connection.

## Disassembly

- 1) Loosen all knobs.
- 2) Slide connectors off of one extrusion.
- 3) Tighten knobs to prevent loss during packing & shipping.

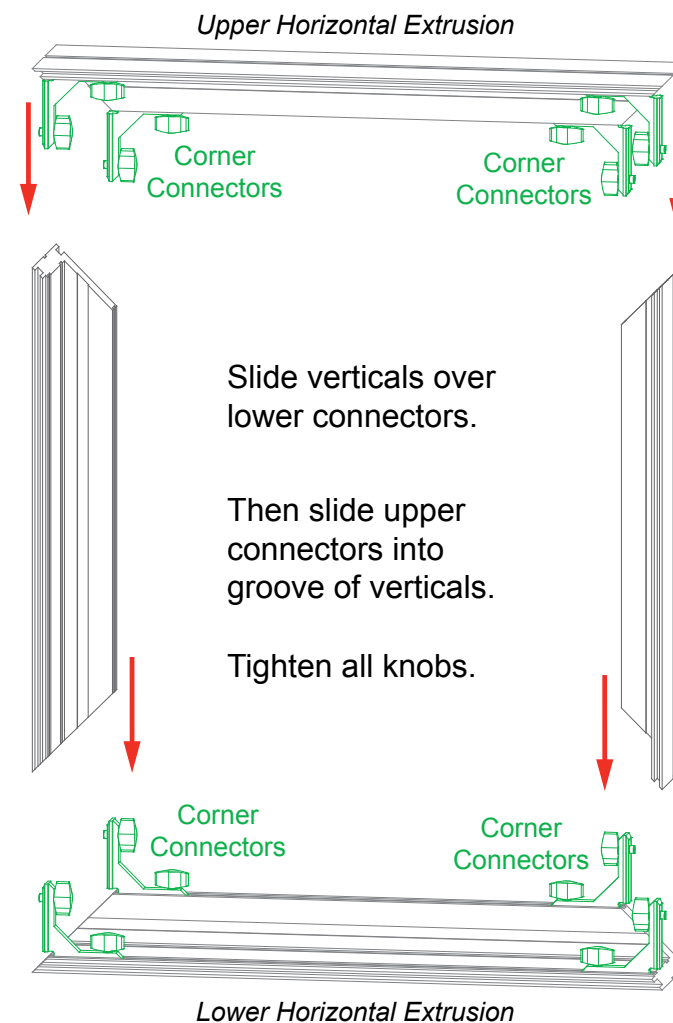
Keep straight connectors in groove of extrusion. Do not remove connectors during disassembly.

## Corner Connection

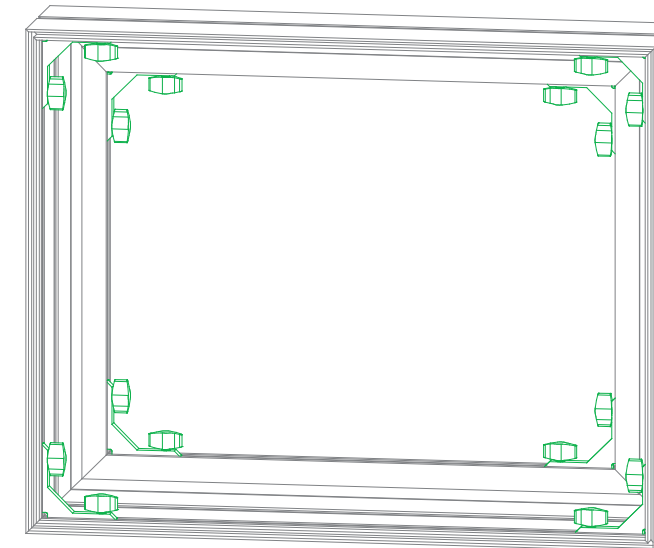
- 1) Loosen knobs, then slide vertical extrusions onto **corner connectors** of **lower** horizontal extrusion.
- 2) Slide **corner connectors** of **upper** horizontal extrusion into grooves of vertical extrusions.
- 3) Tighten all knobs to secure connection.

## Disassembly

- 1) Loosen knobs on vertical extrusions.
- 2) Slide the vertical extrusions off of **corner connectors** on lower and upper horizontal extrusions.

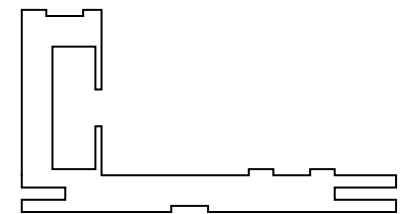


Adjust connectors if necessary to prevent gaps in connection.



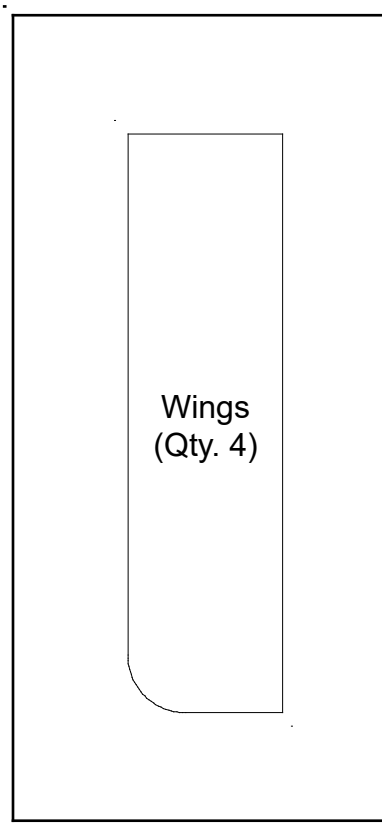
COMPLETED ASSEMBLY

All knobs must be tightened securely to ensure a proper connection.

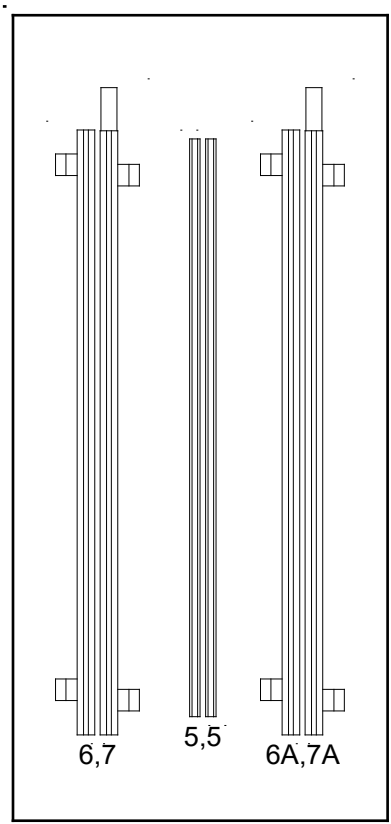


CEI110 Profile

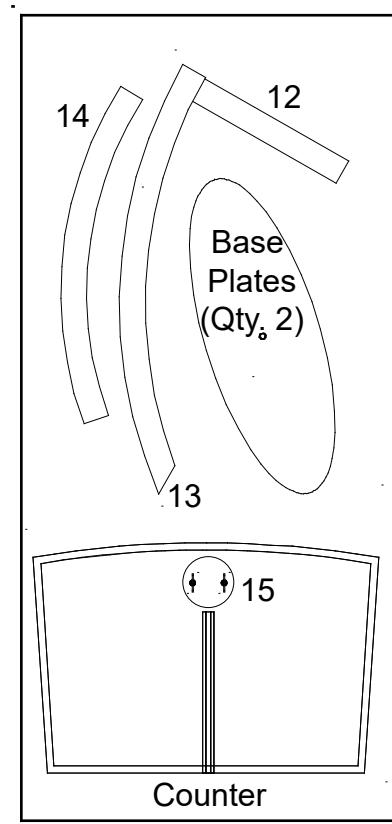
### Top View of Each Level



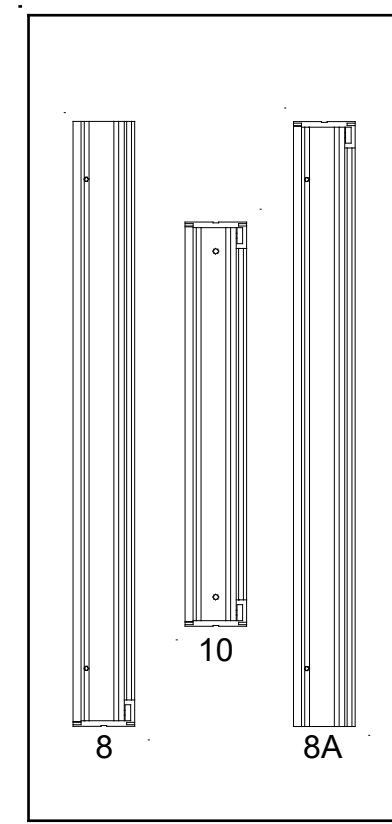
Level 1 (Bottom Level)



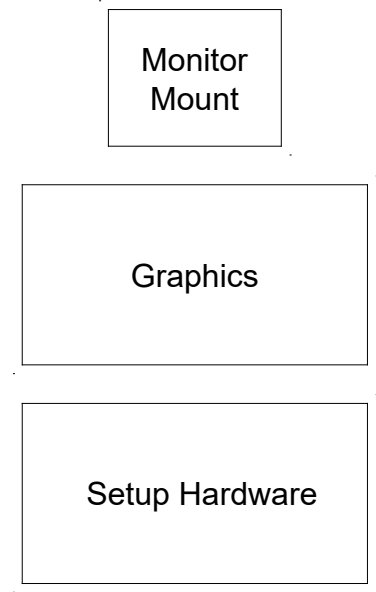
Level 2



Level 3

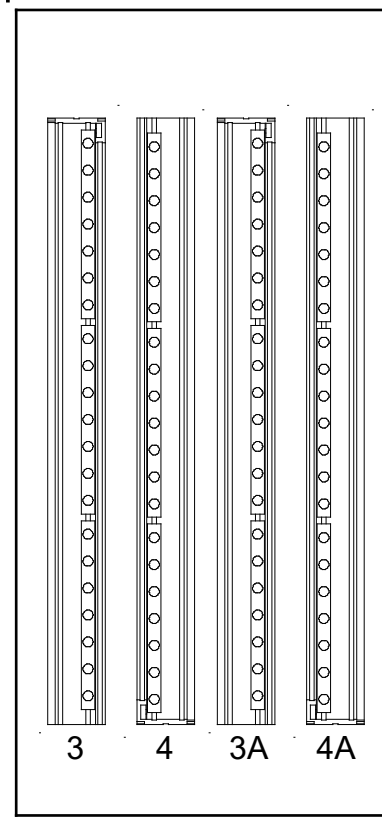


Level 4

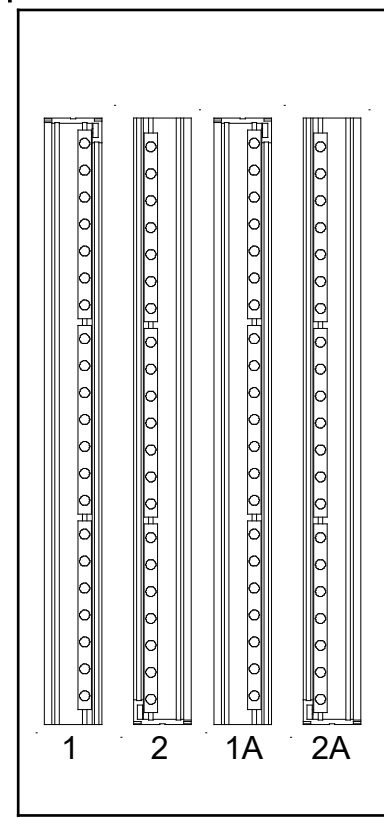




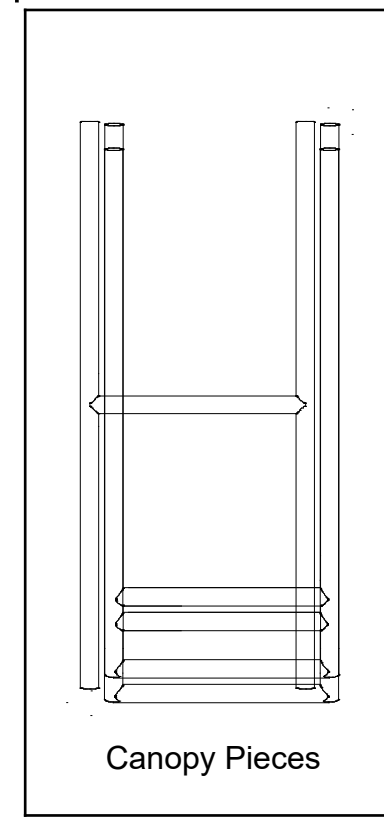
### Top View of Each Level



Level 1 (Bottom Level)

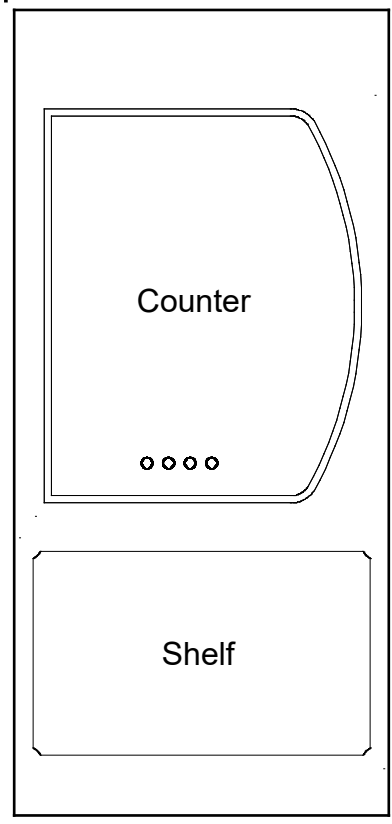


Level 2

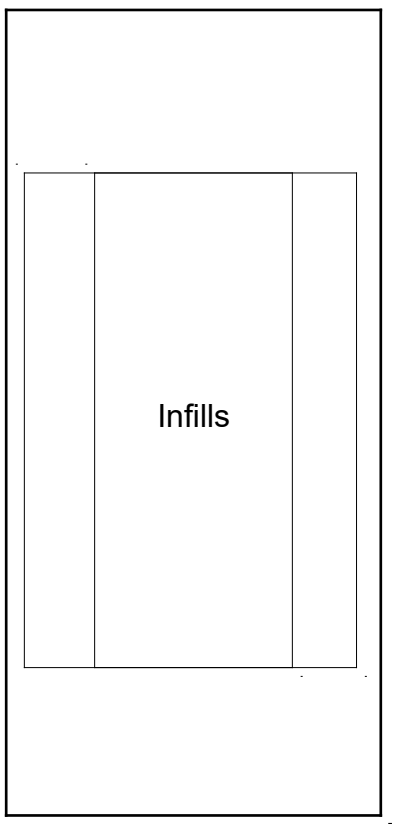


Level 3

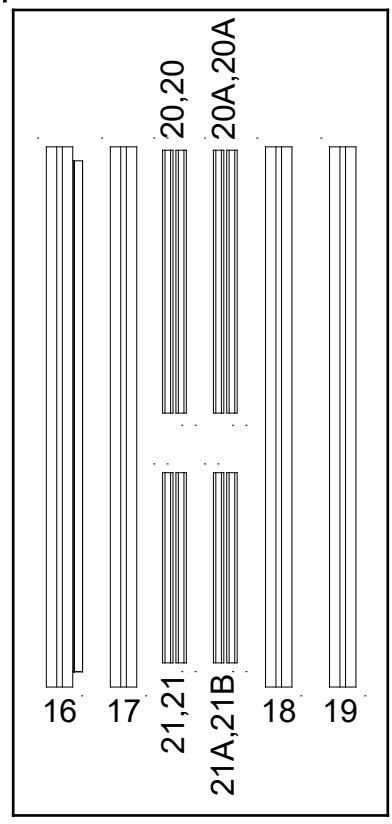
### Top View of Each Level



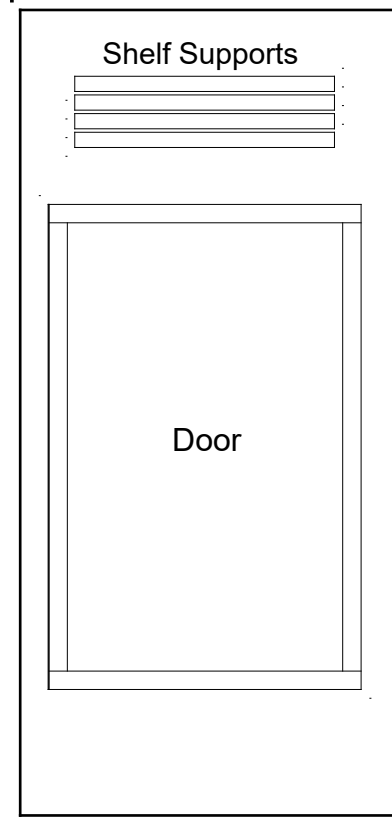
Level 1 (Bottom Level)



Level 2

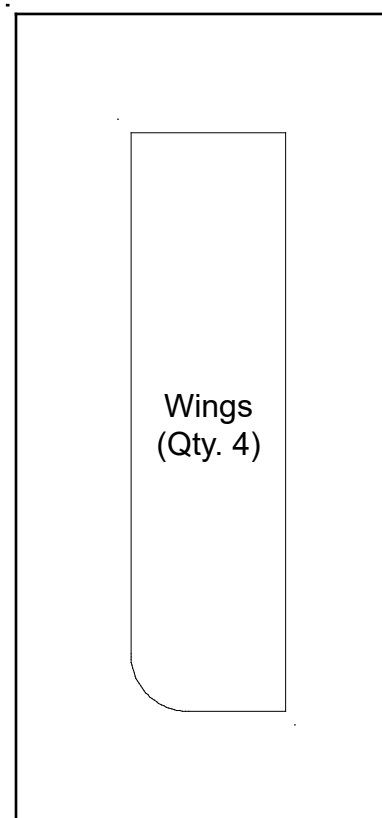


Level 3

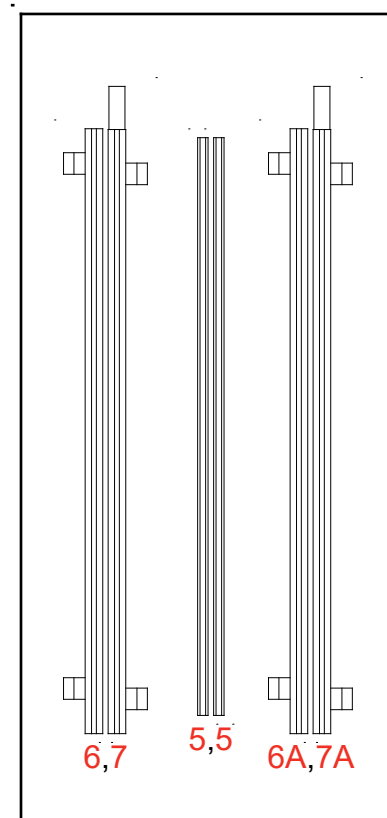


Level 4

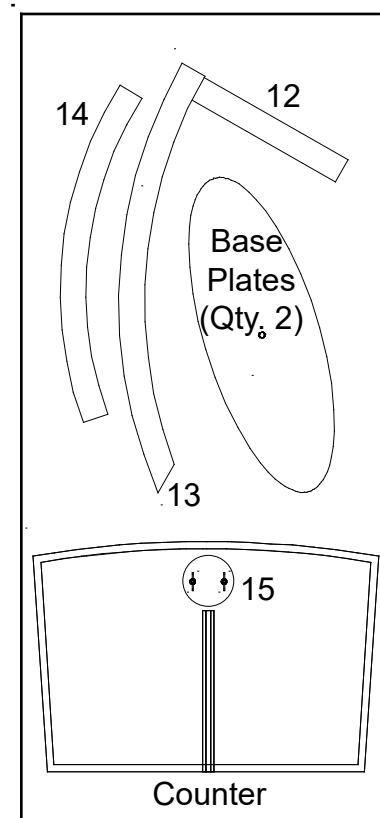
### Top View of Each Level



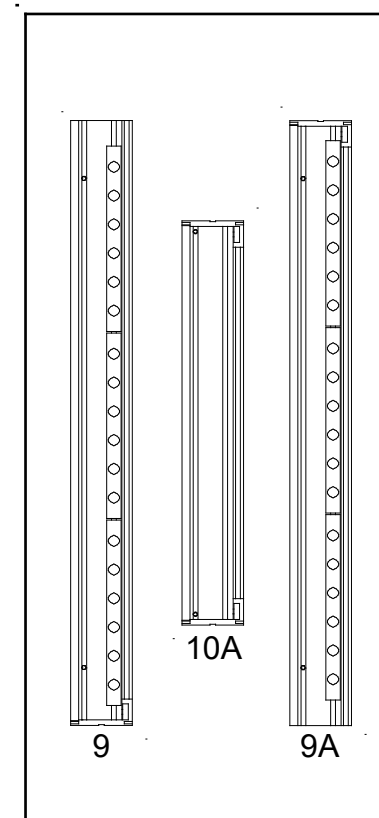
Level 1 (Bottom Level)



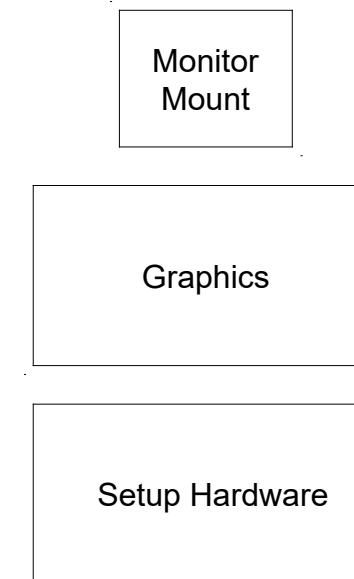
Level 2



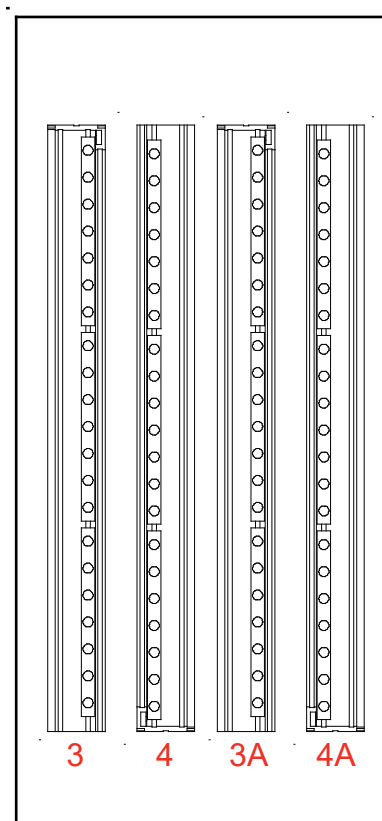
Level 3



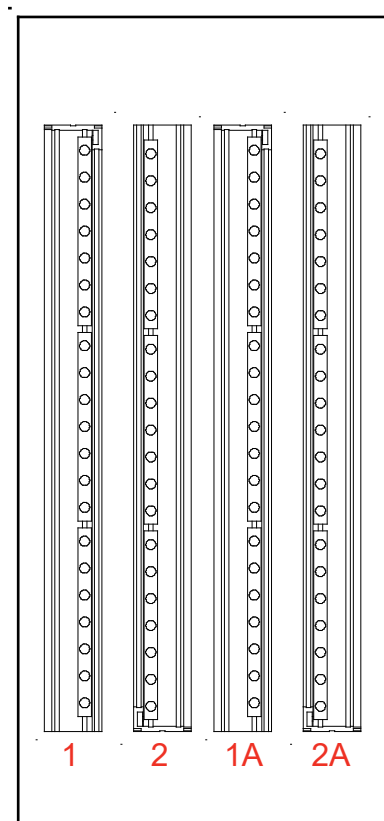
Level 4



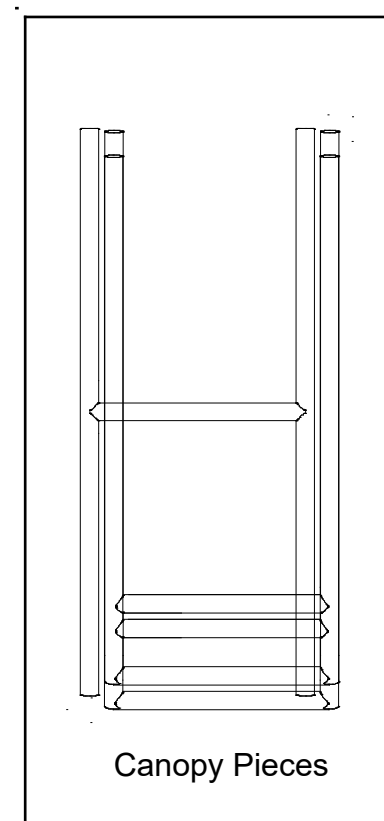
### Top View of Each Level



Level 1 (Bottom Level)

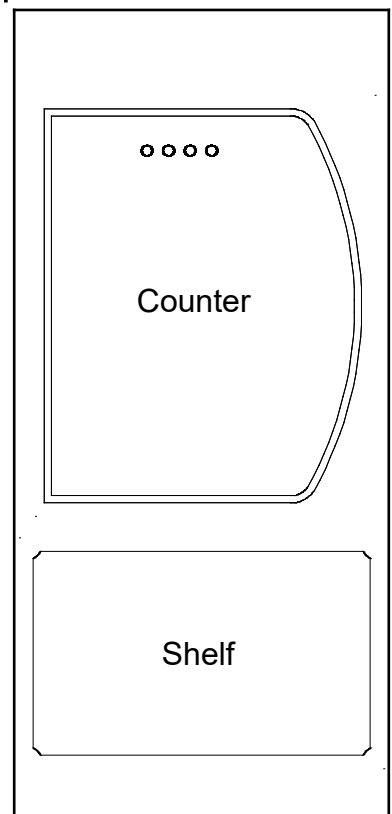


Level 2

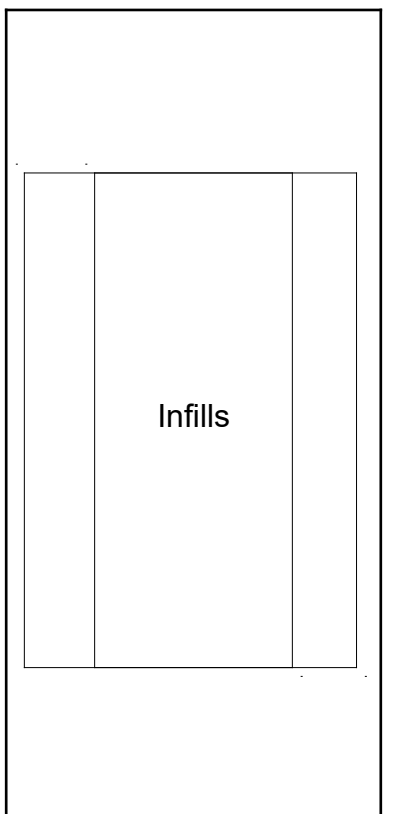


Level 3

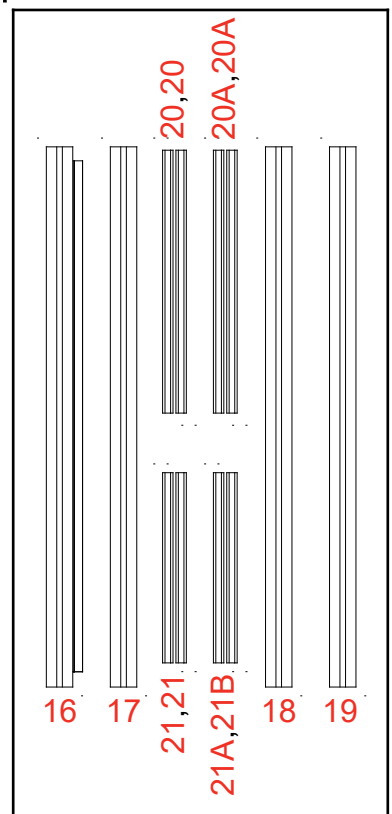
### Top View of Each Level



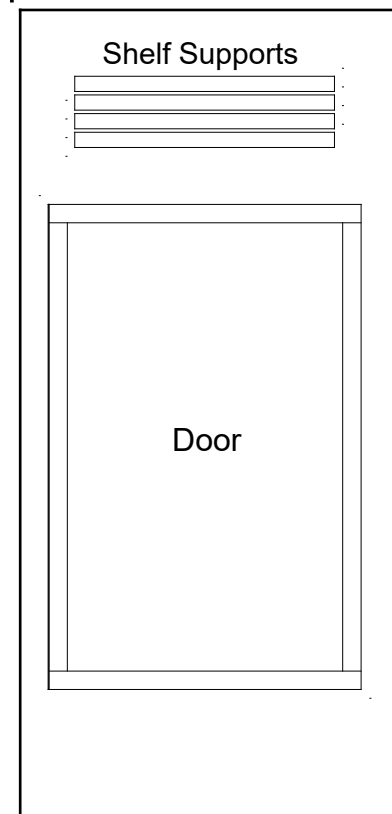
Level 1 (Bottom Level)



Level 2



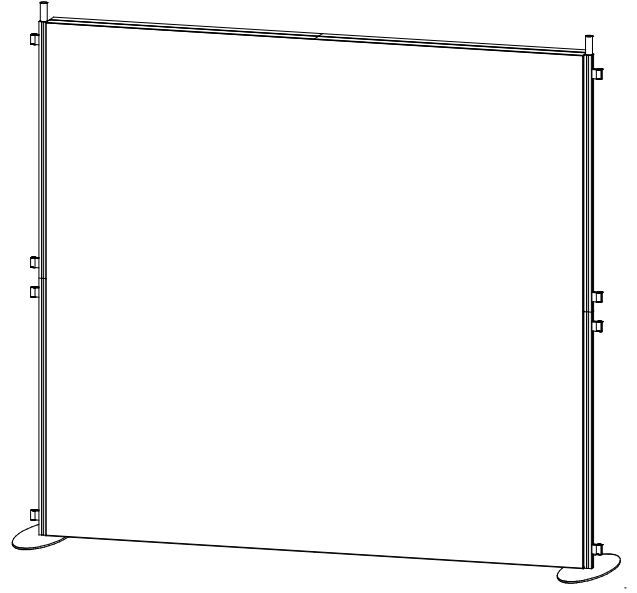
Level 3



Level 4

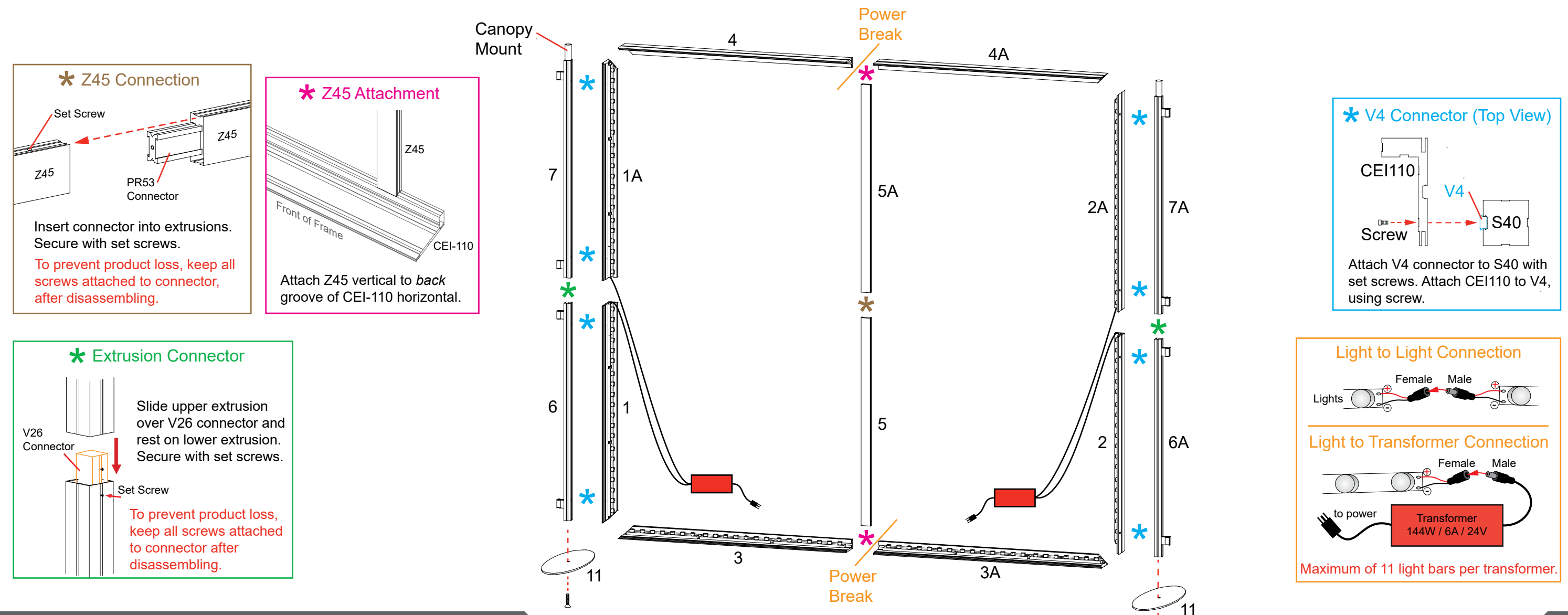
Item	Qty.	Description
1,1A	1,1	42" h CEI110 Vertical Extrusion
2,2A	1,1	42" h CEI110 Vertical Extrusion
3,3A	1,1	45" h CEI110 Horizontal Extrusion
4,4A	1,1	45" h CEI110 Horizontal Extrusion
5,5A	1,1	40.1767" h Z45 Vertical Extrusion
6,6A	1,1	42" w S40 Vertical Extrusion
7,7A	1,1	42" h S40 Vertical Extrusion w/ Canopy Mount
11	2	Base Plate

- Steps:
- 1) Assemble extrusions [1] thru [4A], flat on floor, as shown.  
See CEI110 Frame Assembly sheet.
  - 2) Connect extrusions [5] to [5A]. See **Z45 Connection** detail.
  - 3) Attach assembly [5/5A] into center of assembled frame. See **Z45 Attachment** detail.
  - 4) Connect verticals [6 to 7] and [6A to 7A] then attach to each side of assembled frame.  
See **Extrusion Connector** and **V4 Connector (Top View)** details.
  - 5) Connect lighting power cords and attach transformers. See **Light Connection** details.
  - 6) Attach base plates [11] to verticals [6] and [6A], using bolts, than lift frame upright.
  - 7) Install SEG graphic to front and blocker fabric to back of assembled CEI110 frame.  
See SEG Graphic Installation sheet for instruction.



Completed Backwall Assembly

Keep canopy mounts attached to [7] and [7A], when packing.  
Keep clamps attached to [6] [7] [6A] and [7A], when packing.



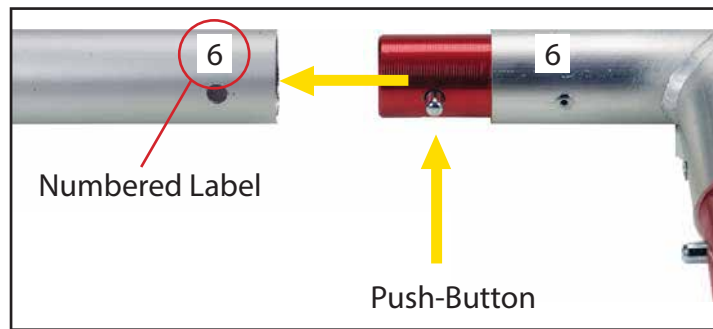
**Using Your Setup Instructions**

The Aero Setup Instructions are created specifically for your configuration. The instructions include an exploded view of the frame which is sequentially labeled. We encourage you to review the instructions before attempting to assemble your exhibit.

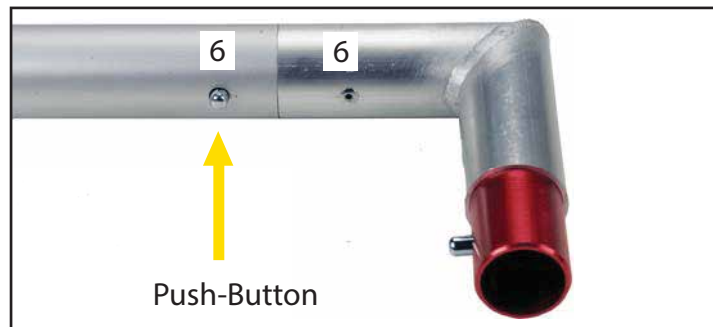
Connections are kept very simple; no tools required. Everything assembles with push-button connectors.

**Cleaning and Packing Your Display**

- 1) Use care when cleaning aluminum extrusion or acrylic inserts. Use only non-abrasive cleaners.
- 2) Retain all packing material. It will make re-packing much easier and will reduce the likelihood of shipping damage.

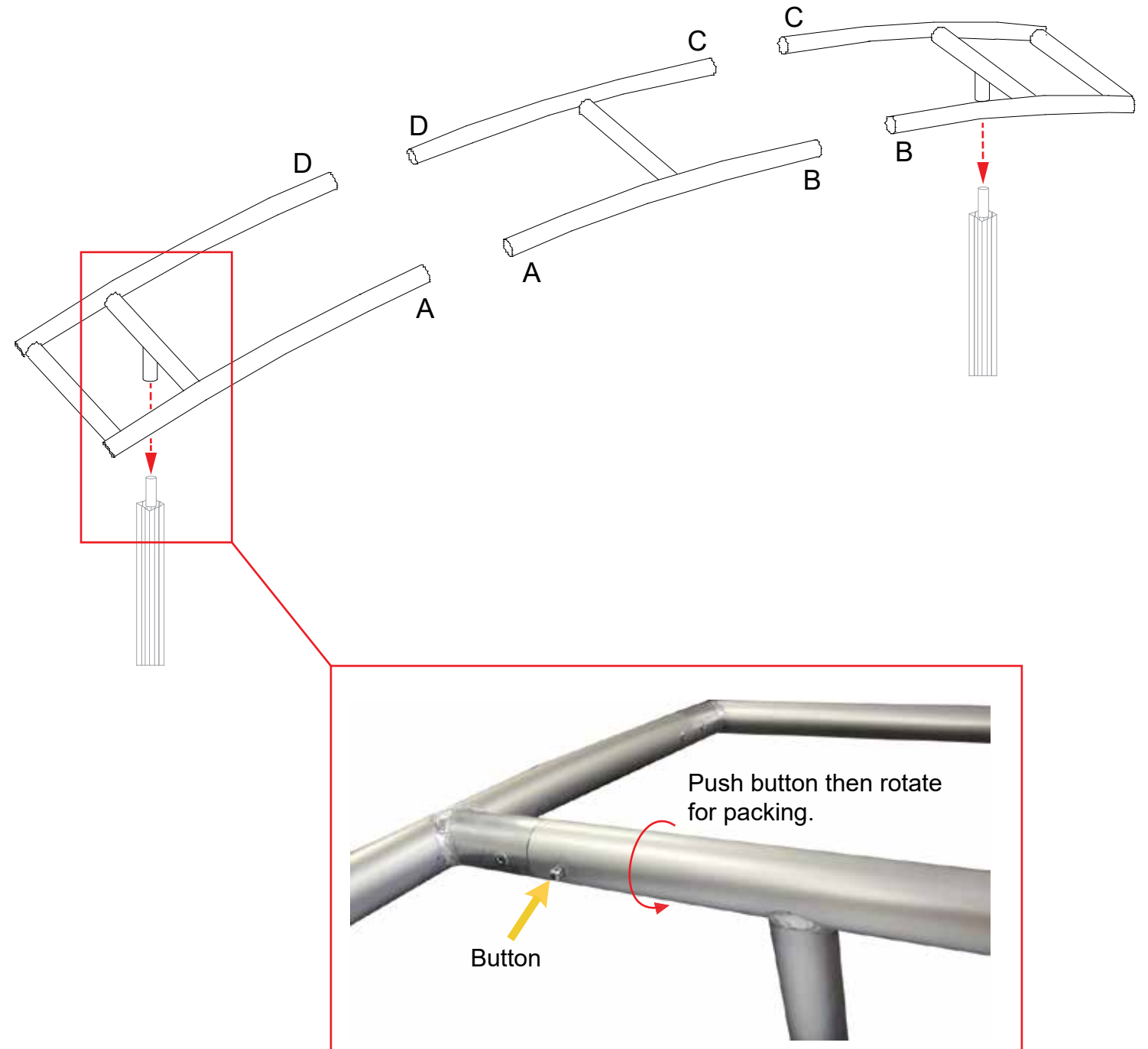


Connections are made by holding the button down and sliding the red tube into opposing tube until button locks into the hole. To disassemble, push button and pull or twist extrusions apart.



**Steps:**

- 1) Connect canopy pieces together as shown.
- 2) Apply pillowcase graphic to assembled canopy

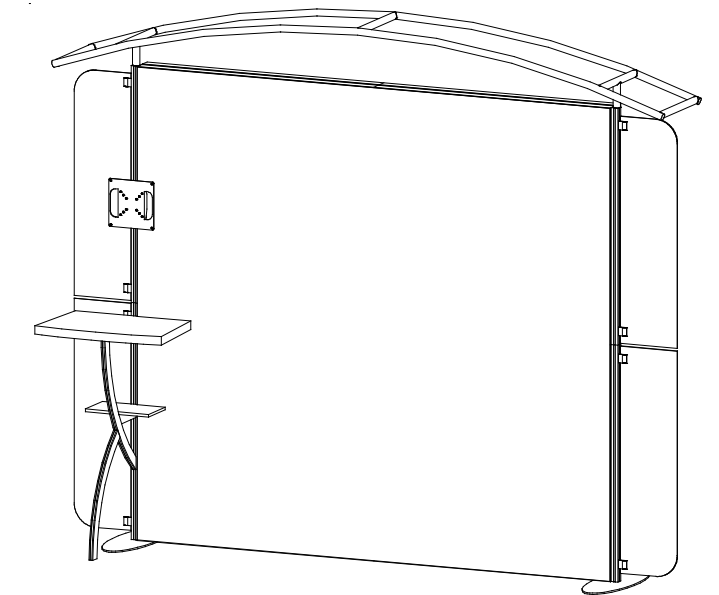


Item	Qty.	Description
12	1	12.184" Z45 Horizontal Extrusion
13	1	30.2" Z45 Curved Extrusion
14	1	24.45" Z45 Support Leg
15	1	Mounting Plate

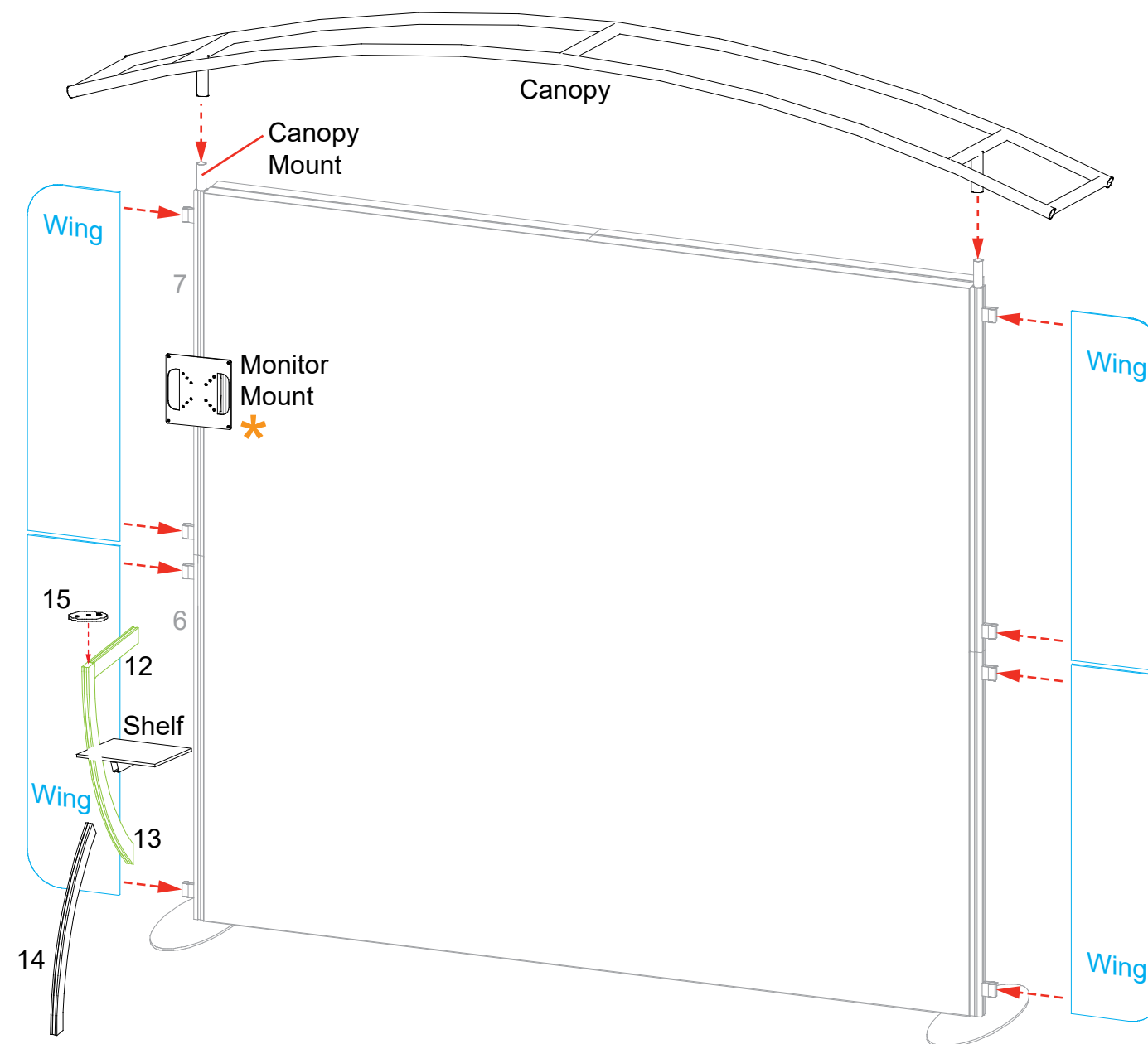
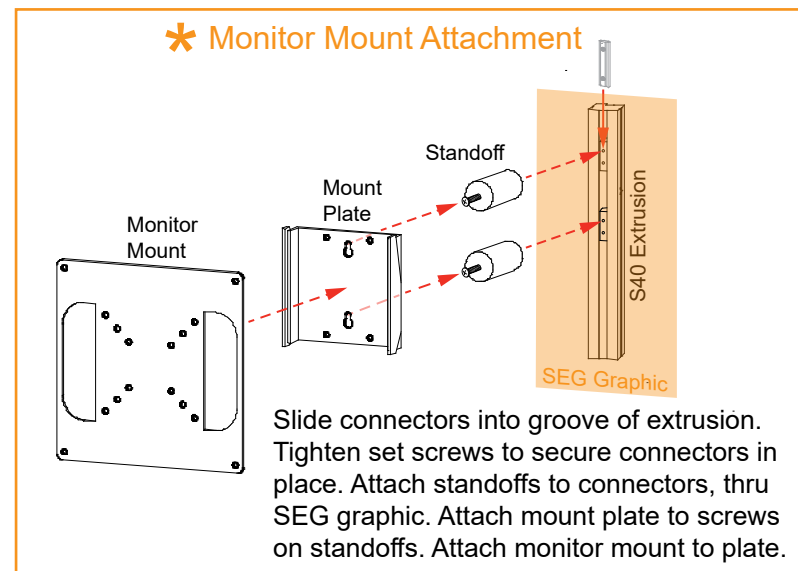
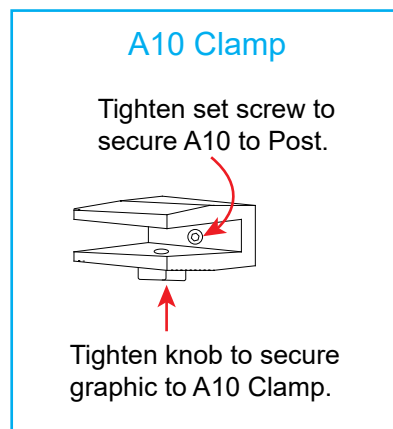
**Steps:**

- 1) Connect assembled extrusions [12/13] and shelf to vertical [6].
- 2) Connect support leg [14] to curved extrusion [13].
- 4) Attach counters to mounting plate [15]. See Counter Attachment sheet.
- 5) Route USB cords from counter. See USB Cord Management sheet.
- 6) Attach wings to clamps. See [A10 Clamp](#) detail.
- 7) Place assembled canopy onto mounts at top of assembled Backwall.
- 8) Attach monitor mount to vertical [7]. See [Monitor Mount Attachment](#) detail.

Keep extrusions [12] and [13] assembled, when packing.



Completed Assembly

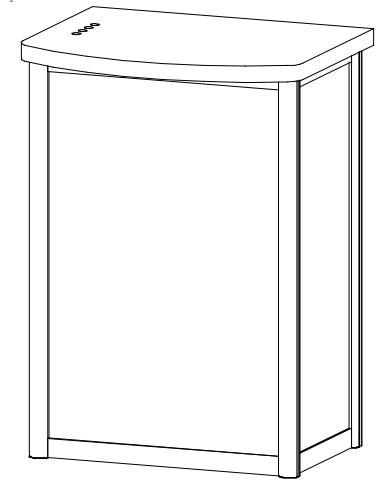




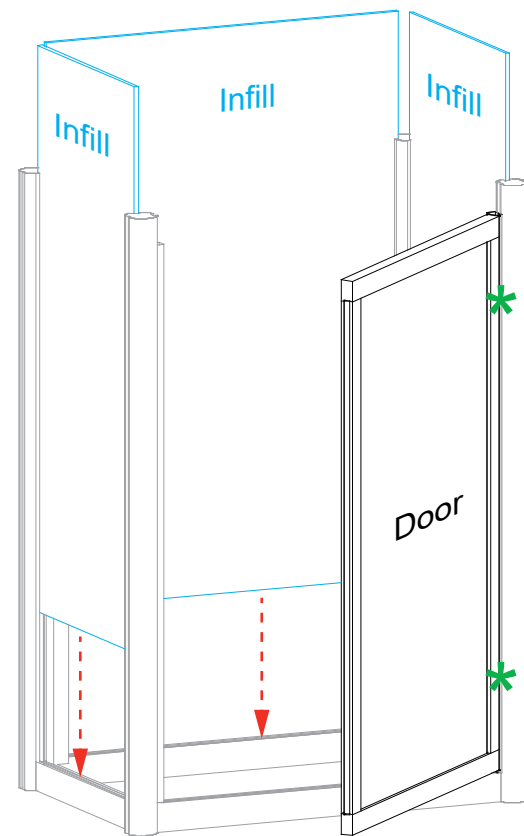
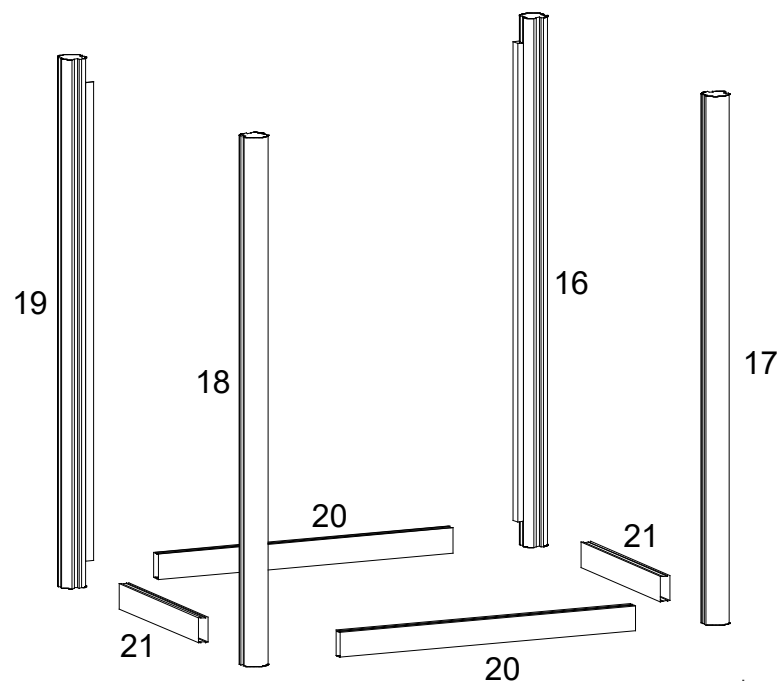
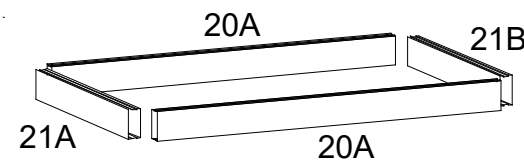
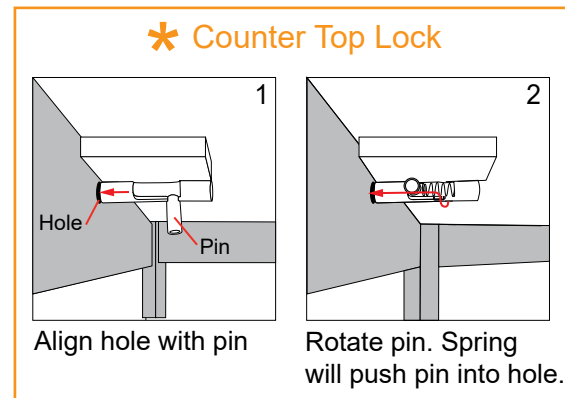
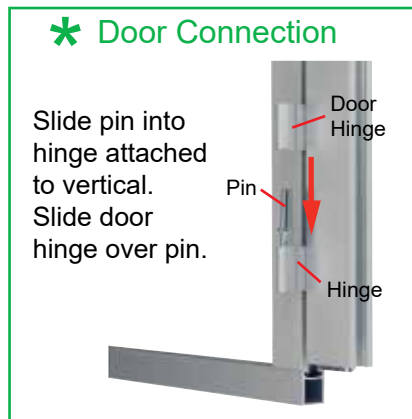
Item	Qty.	Description
16	1	37.5" RSG530 Vertical Extrusion w/ Door Hinges
17	1	37.5" RSG530 Vertical Extrusion
18	1	37.5" RSG530 Vertical Extrusion
19	1	37.5" RSG530 Vertical Extrusion w/ Door Stop
20,20A	2,2	22.5" Z45 Horizontal Extrusion
21,21A,21B	2,1,1	13.25" Z45 Horizontal Extrusion

**Steps:**

- 1) Attach lower horizontals [20] and [21] between verticals [16] [17] [18] and [19].
- 2) Connect door to vertical [19]. See **Door Connection** detail.
- 3) Slide **infills** between verticals [16,17] [17,18] and [18,19], making sure Velcro faces inward.
- 4) Attach upper horizontals [20A] [21A] and [21B] between verticals [16] [17] [18] and [19], on top of **infills**.
- 5) Connect shelf supports to Velcro on **infills** then set shelf on top of supports.
- 6) Lock counter top to horizontals [21A] and [21B]. See **Counter Top Lock** detail.



**Completed Assembly**



**Keep door assembled, when packing.**

